



## Features:

- Single Set point
- Multifunction: 1) On delay 2) Interval 3) Cyclic -on first 4) Cyclic -off first (user selectable)
- Start input
- Easy time setting
- Down counting

Size: 1/16 DIN 48mm X 48mm

## Technical Specifications

### Input Specifications

Accuracy	±0.05% of F.S. or 50msec whichever is greater
Start Input	Gate / Pulse (Programmable)
Reset Input	a) Front panel (selectable) b) Remote reset c) On power interruption (for XT532 only)

### Output Specifications

Output Contact	2 C/O DPDT
Relay Rating	5A @ 230V AC

### Functional Specifications

Modes	ON delay / Interval delay Cyclic ON first / Cyclic OFF first
Time Ranges	0 - 9.9 sec 0 - 99 sec 0 - 9.9 min 0 - 99 min 0 - 9.9 hr 0 - 99 hr
Counting Direction	Down
Memory	XT532 : No memory retention XT532-M : 10 years
Configuration Lock	Via rear terminals
Led Indication	Relay status
Mounting	Panel mounting
Time Setting	By keys on front panel

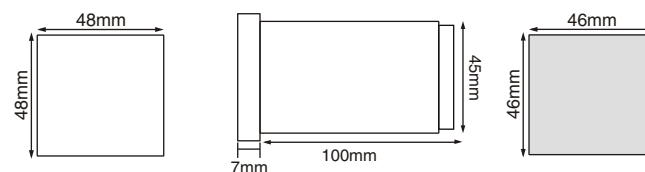
### Supply Voltage

Supply Voltage	85 to 270V AC/DC (50 / 60Hz)
----------------	------------------------------

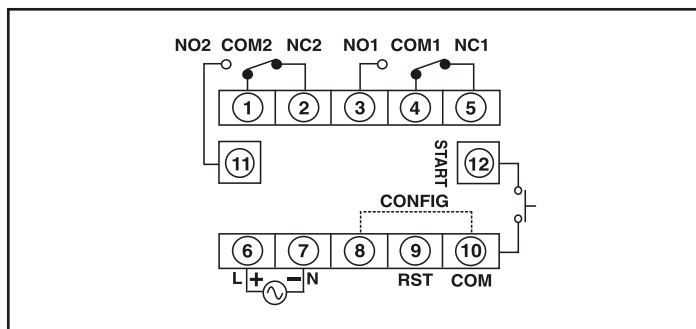
### Environmental Specifications

Temperature	Operating: 0 to 50°C Storage: -5 to 50°C
Humidity (non-condensing)	95% RH
Weight	176 gms

### Dimensions



### Terminal Connections



## Ordering Information

Part No.	Memory Retention	Supply Voltage
XT532-N	NO	85 to 270V AC/DC
XT532-N-M1	YES	85 to 270V AC/DC

Timing Diagram

