



**Features:**

- Single Setpoint
- On delay / Interval modes
- Output 2 C/O
- Time range 0.01 to 99.9 hours
- Reset Input
- Down counting

Size: 72mm x 72mm, 96mm x 96mm

**Technical Specifications**

**Input Specifications**

|             |                             |
|-------------|-----------------------------|
| Display     | 7 segment LED; Height: 0.5" |
| Digits      | 3 digits                    |
| Start Input | Pulse start                 |
| Accuracy    | ±0.05% of F.S. or 50 ms     |

**Output Specifications**

|                |              |
|----------------|--------------|
| Output Contact | 2 C/O (DPDT) |
| Contact Rating | 5A @ 230V AC |

**Functional Specifications**

|                    |   |
|--------------------|---|
| Modes              | ON delay / Interval delay   |
| Time Ranges        | 0 - 9.99 sec<br>0 - 99.9 sec<br>0 - 999 sec<br>0 - 99.9 min<br>0 - 999 min<br>0 - 99.9 hr |
| Counting Direction | Down  |
| Setpoints          | 1   |
| Time Setting       | Pushwheel   |
| Reset              | Front, Remote, Power interruption   |
| LED Indications    | Relay status  |

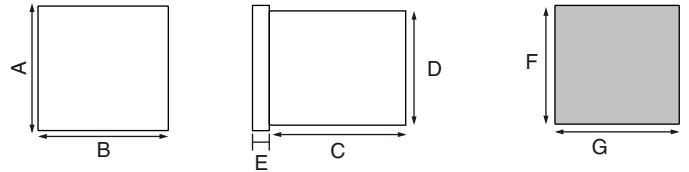
**Supply Voltage**

|                |                           |
|----------------|---------------------------|
| Supply Voltage | 85 to 270V AC (50 / 60Hz) |
|----------------|---------------------------|

**Environmental Specifications**

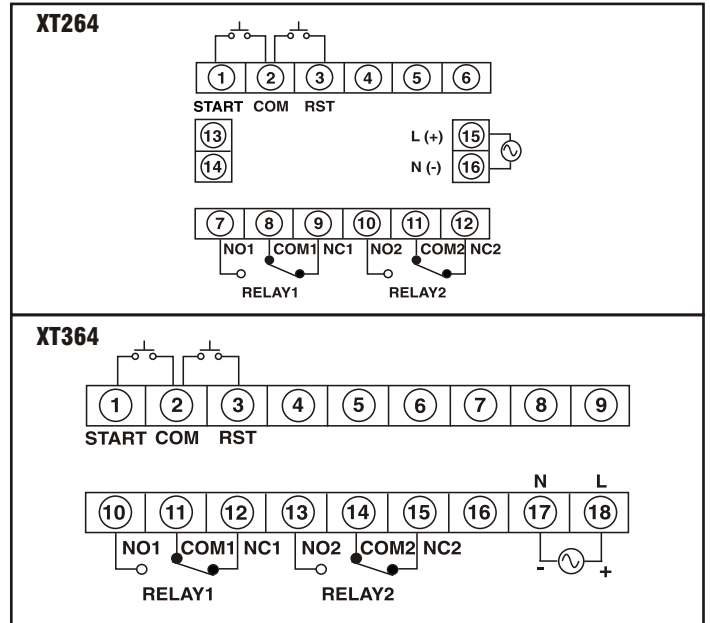
|                           |   |
|---------------------------|---|
| Temperature               | Operating: 0 to 50°C<br>Storage: -5 to 50°C |
| Humidity (non-condensing) | 95% RH                                      |
| Weight                    | XT264 - 200 gms<br>XT364 - 330 gms          |

**Dimensions**



| Models | DIM | A  | B  | C   | D  | E  | F  | G  |
|--------|-----|----|----|-----|----|----|----|----|
| XT264  |     | 72 | 72 | 115 | 68 | 10 | 69 | 69 |
| XT364  |     | 96 | 96 | 70  | 90 | 10 | 92 | 92 |

**Terminal Connections**



**Ordering Information**

| Part No. | Supply Voltage   |
|----------|------------------|
| XT264    | 85 to 270V AC/DC |
| XT364    | 85 to 270V AC/DC |

TIMING DIAGRAMS

