



Features:

- 6 Digit, 7 Segment LED Totaliser
- Compact Size
- Inbuilt Sensor Supply

Size: 1/32 DIN 48mm X 96mm

Technical Specifications

Input Specifications

Sensor Type	NPN / PNP
Input Type	Voltage pulse (3 to 30V DC) from Proximity switches, Solid state devices, Potential free contact encoder
Input Speed	a) 3Hz b) 30Hz c) 1kHz
Reset	Front , Remote

Output Specifications

Sensor Supply	Inbuilt, 12V DC, 30mA
---------------	-----------------------

Functional Specifications

Range	999999 counts
Counting Direction	Up
Memory	Yes

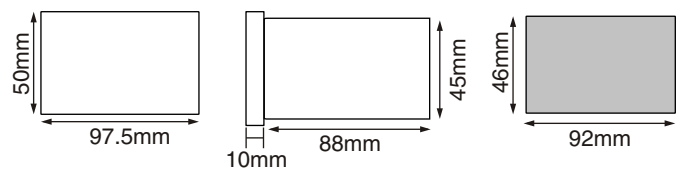
Supply Voltage

Supply Voltage	90 to 270V AC/DC (50 / 60Hz) -15% to 10% tolerance
Power Consumption	5VA max

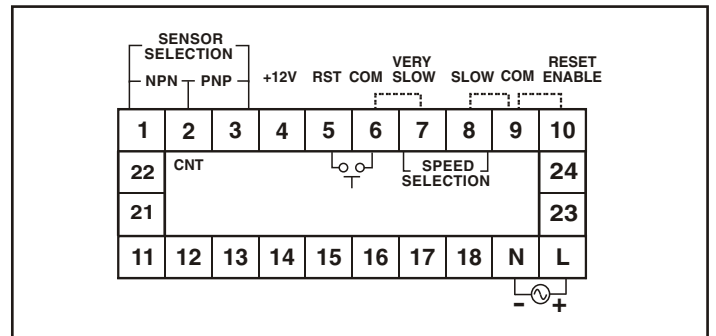
Environmental Specifications

Temperature	Operating: 0 to 50°C Storage: -5 to 50°C
Humidity (non-condensing)	95% RH
Weight	200 gms
Protection Level	IP40 for faceplate

Dimensions



Terminal Connections



Ordering Information

Part No.	Supply Voltage
XC10D	90 to 270 V AC/DC