



Features:

- 8 Channels
- On delay / Interval / Cyclic modes
- Parallel / sequential operation
- Cascade output for channel expansion
- Start, Hold Input
- Start delay programmable
- Reset Input
- 5 Time range
- 10 years memory retention

Size: 96mm x 96mm

Technical Specifications

Input Specifications

Display	7 segment LED; Height: 0.3"
Digits	2 + 4 digits
Start Input	Start, Hold
Accuracy	±0.5% of setting or 50 ms, Whichever is greater

Output Specifications

Output Contact	8 nos., NO with single common
Contact Rating	5A @ 230V AC

Functional Specifications

Modes	ON delay, Interval, Cyclic ON first, Cyclic OFF first (start up delay & no. of cycles programmable for cyclic mode)
Time Ranges	0 - 99.99 sec 0 - 999.9 sec 0 - 99.59 min : sec 0 - 99:59 hr : min 0 - 999.9 hr
Counting Direction	Up
Setpoints	8
Time Setting	Front keypad
Reset	Front, Remote, Power interruption
LED Indications	Relay status, Cascade O/P , Time range, ON/OFF time, Timing in progress
No of Channels	8 channels
Memory	10 years
Configuration Lock	via rear terminals

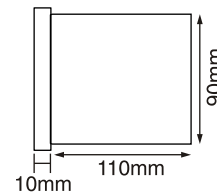
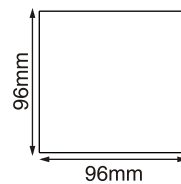
Supply Voltage

Supply Voltage	85 to 270 V AC/DC, (AC : 50 or 60 Hz)
----------------	---------------------------------------

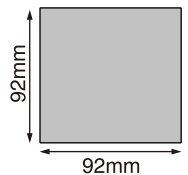
Environmental Specifications

Temperature	Operating: 0 to 50°C Storage: -20 to 75°C
Humidity (non-condensing)	95% RH
Weight	350 gms

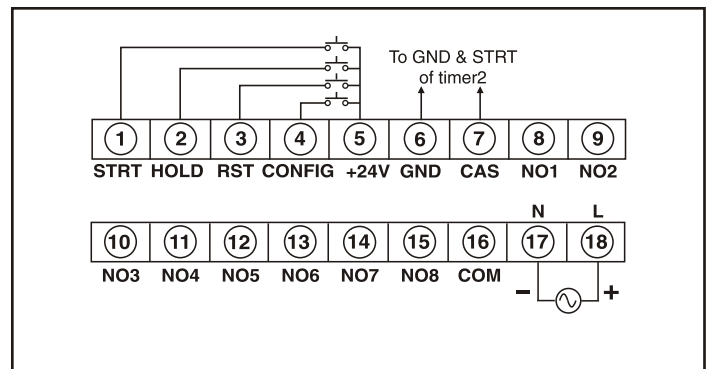
Dimensions



Panel Cutout



Terminal Connections



Ordering Information

Part No.	Supply Voltage
PT380	85 to 270V AC/DC

Timing Diagram

