



**Features:**

- Universal AC Input / Full range
- Protection : Short circuit / Over load / Over Voltage
- Cooling by free Air convection
- Fixed switching frequency at 132kHz
- 2 year warranty

**Size: 127 x 89 x 39 (L x B x H mm)**

**Technical Specifications**

**Input Specifications**

Input	
Voltage Range	85 ~ 265V AC
Frequency Range	47 ~ 63Hz
Efficiency(typ.)	80.00% AC
Current (typ.)	0.5A / 115V AC 0.3A / 230V AC
Inrush Current (typ.)	Cold Start 39A / 230V AC

**Output Specifications**

Output	
DC Voltage	24V
Rated Current	1.1A
Current Range	0 ~ 1.1A
Rated Power	26.4W
Ripple & Noise (max.) Note	75 mVp-p
Voltage Adj. Range	21.6 ~ 26.4V
Voltage Tolerance	±1%
Line Regulation	±0.5%
Load Regulation	±0.5%
Rise, Fall Time	50ms, 75ms / 115V AC & 230V AC At Full Load
Hold Up Time (typ.)	75ms /230V AC 20 ms /115V AC At Full Load

**Functional Specifications:**

Protections	
Overload	105 ~ 150% Rated Output Power Protection Type : Hiccup Mode, Recovers Automatically After Fault Condition Is Removed.
Over Voltage	27.6 ~ 32.4V Protection Type : Hiccup Mode, Recovers Automatically After Fault Condition Is Removed.

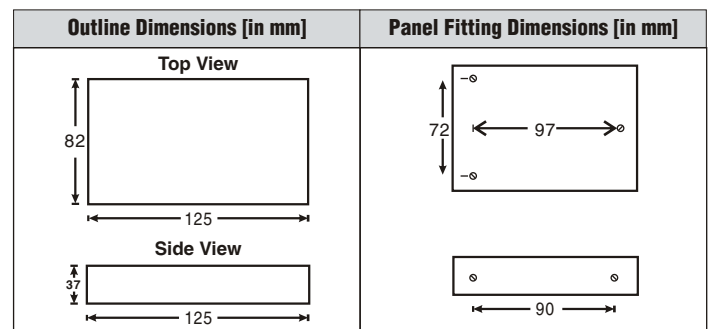
**Environmental Specifications**

Environment	
Working Temp	+25 ~ +60°C (Refer To Output Load Derating Curve)

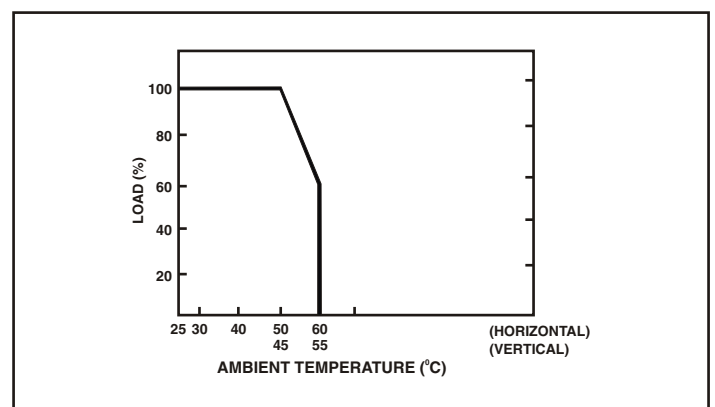
**Note :**

1. All parameters NOT specially mentioned are measured at 230VAC input, rated load and 25 °C of ambient temperature.
2. Ripple & noise to be measured at 20MHz of bandwidth by using a 12" twisted pair-wire terminated with a 0.1 µf & 47 µf parallel capacitor.
3. The power supply is considered a component which will be installed into a final equipment. The final equipment must be re-confirmed that it still meets EMC directives.

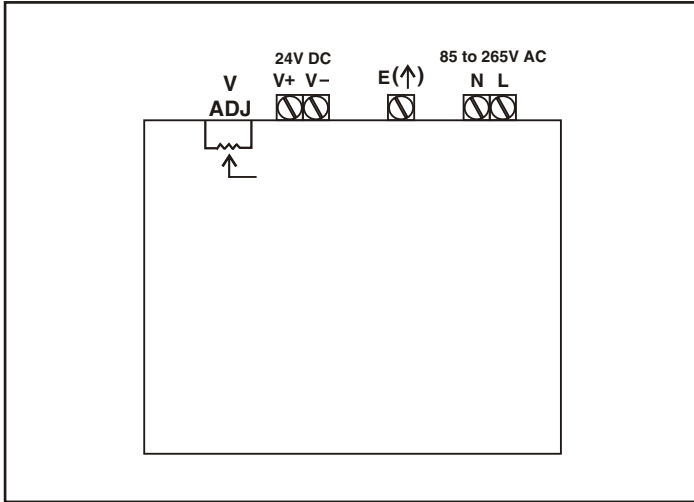
**Dimensions (in mm)**



**Derating Curve**



### Terminal Connections



### Ordering Information

Product	Order Code
PS - CF - 24V - 1.1A	PS - CF - 24V - 1.1A