



Expansion Module

Description

I/O can be expanded up to 31 expansion modules per controller.

Item	Description	
1	24V DC power supply	
2	Expansion port - IO to PLC	
3	DIP switch - slave ID (1 to 31)	
4	LED - Power	
5	LED - Input status	
No. of Digital Inputs 8		
Input type PNP		
ON Voltage level 11-30V DC		
OFF Voltage level 0-3V DC		
Isolation 2kV optical		
Required power 200mA @ 24V DC		
Input impedance 22K		
	IO 610	IO 630
Response time	35ms	200usec
Expansion port conn.	RS485 + -	I/O EXP + -
Protocol	MODBUS RTU	Proprietary
Baudrate	19k2	500kbps
Mounting	DIN rail mounting	
Temperature	Operating: 0 To 50°C Storage: 20 To 50°C	
Humidity	95%	
Weight	120 gms	
Dimensions	52.5 mm x 90 mm x 73 mm	

HARDWARE CONFIGURATION OF EXPANSION MODULES

Before configuration of the expansion module, slave ID address on the 5 way DIP switch as follows



Note: Do not assign same slave ID to two or more different expansion modules connected to the PLC

SOFTWARE CONFIGURATION OF EXPANSION MODULES

IO 610 series :-

- 610 series IO modules can be interfaced with any master that supports Modbus protocol.
- Please see IO 610 series application note.

IO 630 series :-

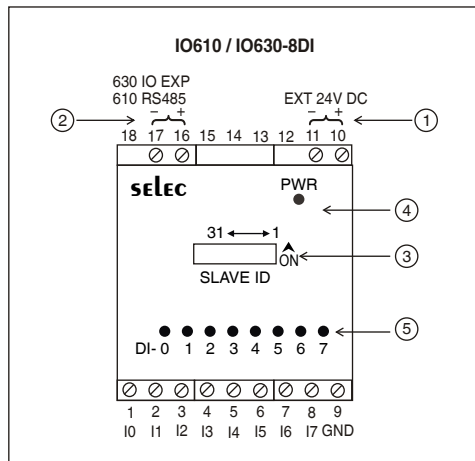
- 630 series IO modules can be operated on proprietary protocol. These can be interfaced with Selec PLC series.
- Please see IO 630 series application note.

⚠ CAUTION

The equipment in its installed state must not come in close proximity to any heating sources, caustic vapors, oils, steam, or other unwanted process byproducts.

EMC Guidelines:

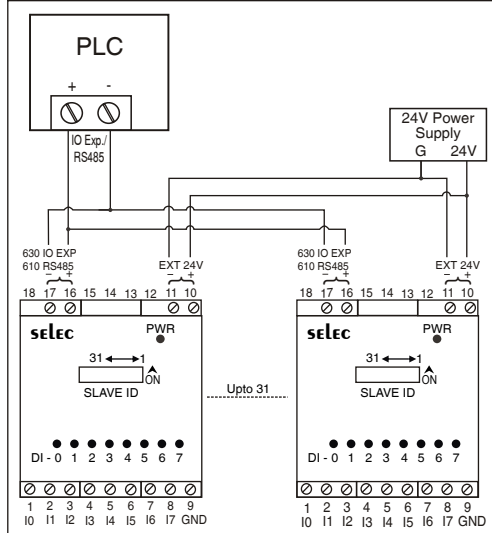
1. Use proper input power cables with shortest connections and twisted type.
2. Layout of connecting cables shall be away from any internal EMI source.



MODBUS ADDRESS TABLE:

Digital Input	Modbus Address (Input status)	Description
I0	10000	0 - Input open 1 - input close
I1	10001	
I2	10002	
I3	10003	
I4	10004	
I5	10005	
I6	10006	
I7	10007	

TYPICAL WIRING DIAGRAM



MAINTENANCE

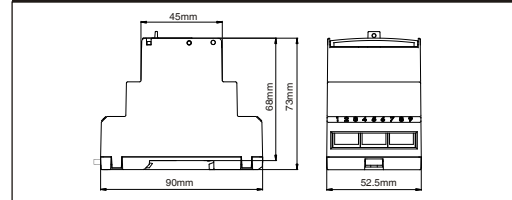
1. To avoid blockage of ventilation holes, clean the equipment regularly using a soft cloth.
2. Do not use Isopropyl alcohol or any other organic solvents for cleaning.

I/O Expansion modules can be mounted using 35 x 52.5 mm DIN rails

Before mounting the module on DIN rail, close DIN rail latches. Press the DIN rail mounting area of the module against the DIN rail. The latches will momentarily open and lock in to place

Figure shows dimension DIN rail mounting of expansion modules

DIMENSIONS (All dimensions in mm)



(Specifications subject to change as development is a continuous process).

Selec Controls Pvt. Ltd., India

Tel:91-22-28476443/1882, Fax:91-22-28471733,
Toll free: 1800 227 353, Website: www.selec.com
E- mail: sales@selec.com.