

### Expansion Module

#### Description

I/O can be expanded up to 31 expansion modules per controller.

Item	Description	
1	24V DC power supply	
2	Expansion port - IO to PLC	
3	DIP switch - slave ID (1 to 31)	
4	LED - Power	
5	LED - Output status	
No. of Digital Outputs	4	
Output type	Transistor Output (PNP)	
Output Rating	100mA	
Isolation	2kV optical	
Required power	500mA @ 24V DC	
Short circuit Protection	Yes	
	IO 610	IO 630
Response time	35ms	200usec
Expansion port conn.	RS485 + -	I/O EXP + -
Protocol	MODBUS RTU	Proprietary
Baudrate	19k2	500kbps
Mounting	DIN rail mounting	
Temperature	Operating: 0 To 50°C Storage: 20 To 50°C	
Humidity	95%	
Weight	120 gms	
Dimensions	52.5 mm x 90 mm x 73 mm	

### HARDWARE CONFIGURATION OF EXPANSION MODULES

Before configuration of the expansion module, slave ID address on the 5 way DIP switch as follows



Note: Do not assign same slave ID to two or more different expansion modules connected to the PLC

### SOFTWARE CONFIGURATION OF EXPANSION MODULES

IO 610 series :-

- 610 series IO modules can be interfaced with any master that supports Modbus protocol.
- Please see IO 610 series application note.

IO 630 series :-

- 630 series IO modules can be operated on proprietary protocol. These can be interfaced with Selec PLC series.
- Please see IO 630 series application note.

#### ⚠ CAUTION

The equipment in its installed state must not come in close proximity to any heating sources, caustic vapors, oils, steam, or other unwanted process byproducts.

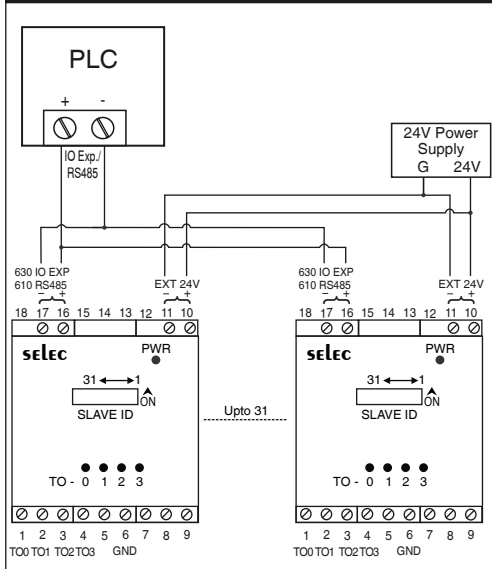
#### EMC Guidelines:

1. Use proper input power cables with shortest connections and twisted type.
2. Layout of connecting cables shall be away from any internal EMI source.

### MODBUS ADDRESS TABLE:

Digital Output	Modbus Address (Coil status)	Description
TO0	00000	0 - Output OFF 1 - Output ON
TO1	00001	
TO2	00002	
TO3	00003	

### TYPICAL WIRING DIAGRAM



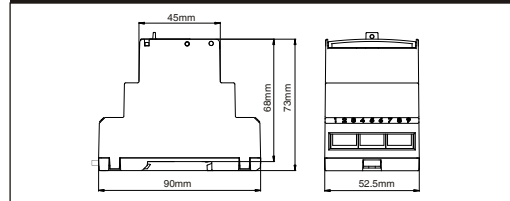
### MAINTENANCE

1. To avoid blockage of ventilation holes, clean the equipment regularly using a soft cloth.
  2. Do not use Isopropyl alcohol or any other organic solvents for cleaning.
- I/O Expansion modules can be mounted using 35 x 52.5 mm DIN rails

Before mounting the module on DIN rail, close DIN rail latches. Press the DIN rail mounting area of the module against the DIN rail. The latches will momentarily open and lock in to place

Figure shows dimension DIN rail mounting of expansion modules

### DIMENSIONS (All dimensions in mm)



(Specifications subject to change as development is a continuous process).

### Selec Controls Pvt. Ltd., India

Tel:91-22-28476443/1882, Fax:91-22-28471733,  
Toll free: 1800 227 353, Website: www.selec.com  
E- mail: sales@selec.com.