



Expansion Module

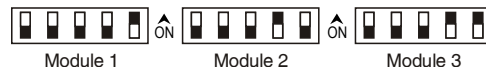
Description

I/O can be expanded up to 31 expansion modules per controller.

Item	Description	
1	24V DC power supply	
2	Expansion port - IO to PLC	
3	DIP switch - slave ID (1 to 31)	
4	LED - Power	
No. of Analog Outputs (V/I)		
		2
Analog Output type		
		0-20mA or 0-10V
Resolution		
		12 BIT
Conversion time		
		20 ms
Required power		
		100mA @ 24V DC
Response time		
		IO 610: 35ms IO 630: 200usec
Expansion port conn.		
		IO 610: RS485 + - IO 630: I/O EXP + -
Protocol		
		IO 610: MODBUS RTU IO 630: Proprietary
Baudrate		
		IO 610: 19k2 IO 630: 500kbps
Mounting		
		DIN rail mounting
Temperature		
		Operating: 0 To 50°C Storage: 20 To 50°C
Humidity		
		95%
Weight		
		120 gms
Dimensions		
		52.5 mm x 90 mm x 73 mm

HARDWARE CONFIGURATION OF EXPANSION MODULES

Before configuration of the expansion module, slave ID address on the 5 way DIP switch as follows



Note: Do not assign same slave ID to two or more different expansion modules connected to the PLC

SOFTWARE CONFIGURATION OF EXPANSION MODULES

IO 610 series :-

- 610 series IO modules can be interfaced with any master that supports Modbus protocol.
- Please see IO 610 series application note.

IO 630 series :-

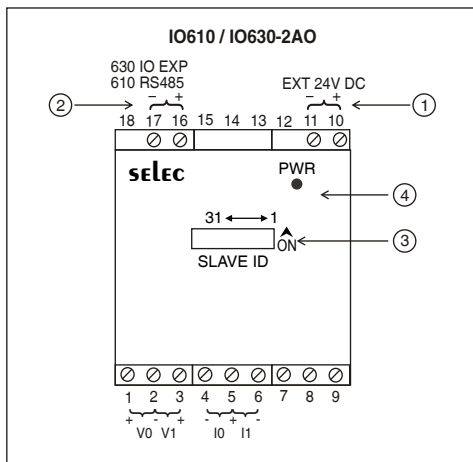
- 630 series IO modules can be operated on proprietary protocol. These can be interfaced with Selec PLC series.
- Please see IO 630 series application note.

⚠ CAUTION

The equipment in its installed state must not come in close proximity to any heating sources, caustic vapors, oils, steam, or other unwanted process byproducts.

EMC Guidelines:

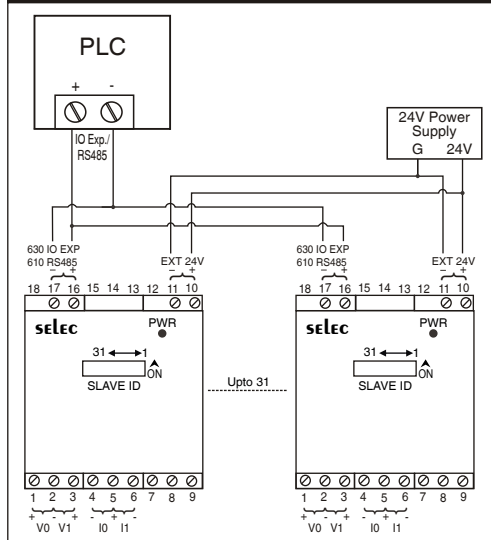
1. Use proper input power cables with shortest connections and twisted type.
2. Layout of connecting cables shall be away from any internal EMI source.



MODBUS ADDRESS TABLE:

Parameter	Type	Modbus Register AIO	Modbus Register AI1	Range	Description
Channel status	Coil Status	00000	00001	0-1	0 - Voltage Output 1 - Current Output
	Holding Register	40010	40011	0-10000 0-20000	0-10000 counts for Voltage 0-20000 counts for Current

TYPICAL WIRING DIAGRAM



MAINTENANCE

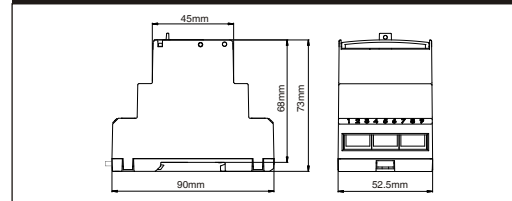
1. To avoid blockage of ventilation holes, clean the equipment regularly using a soft cloth.
2. Do not use Isopropyl alcohol or any other organic solvents for cleaning.

I/O Expansion modules can be mounted using 35 x 52.5 mm DIN rails

Before mounting the module on DIN rail, close DIN rail latches. Press the DIN rail mounting area of the module against the DIN rail. The latches will momentarily open and lock in to place

Figure shows dimension DIN rail mounting of expansion modules

DIMENSIONS (All dimensions in mm)



(Specifications subject to change as development is a continuous process).

Selec Controls Pvt. Ltd., India

Tel:91-22-28476443/1882, Fax:91-22-28471733,
Toll free: 1800 227 353, Website: www.selec.com
E- mail: sales@selec.com.