



Features:

- 8 Digit LCD Time Totaliser
- Self Powered
- Long battery Life
- Contact / Voltage Input

Size: 1/16 DIN 48mm X 48mm

Certifications:

Technical Specifications

Input Specifications

Input Type	a) 24 to 260V AC b) Contact input
Accuracy	0.05%

Functional Specifications

Range	999999.99 hrs
Counting Direction	Up
Memory	5 years

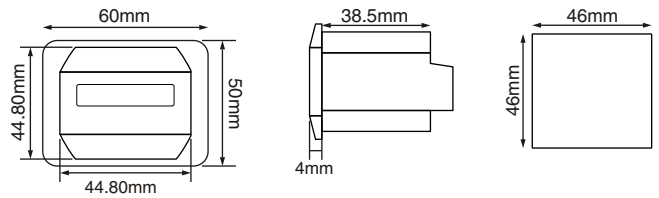
Supply Voltage

Supply Voltage	Battery powered
----------------	-----------------

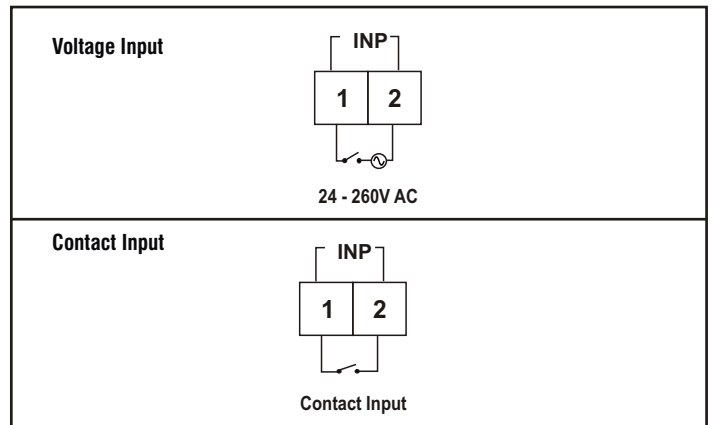
Environmental Specifications

Temperature	Operating: 0 to 50°C (32 to 122°F) Storage: -20 to 75°C (-4 to 167°F)
Humidity (non-condensing)	95% RH
Weight	50 gms (0.110 lbs)
Protection Level	IP40 for faceplate

Dimensions



Terminal Connections



Ordering Information

Part No.	Input Type	
	Contact	Voltage
LT945-C	■	
LT945-V		■