



**Features:**

- 8 Digit LCD Time Totaliser
- Self Powered
- Long battery Life
- Contact / Voltage Input

Size: 1/32 DIN 24mm X 48mm

Certifications:

**Technical Specifications**

**Input Specifications**

Input Type	a) 24 to 260V AC b) Contact input
Accuracy	0.05%
Reset	Front, Remote,

**Functional Specifications**

Range	a) 9999.59.59 hr:min:sec b) 999999.99 hr
Counting Direction	Up
Memory	5 years



**Supply Voltage**

Supply Voltage	Battery powered
----------------	-----------------

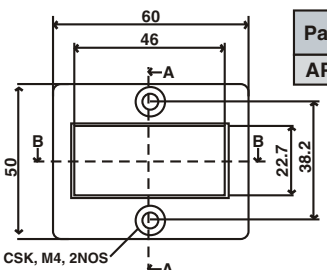
**Environmental Specifications**

Temperature	Operating: 0 to 50°C (32 to 122°F) Storage: -20 to 75°C (-4 to 167°F)
Humidity (non-condensing)	95% RH
Weight	30 gms (0.066 lbs)
Protection Level	IP40 for faceplate

**Accessory**

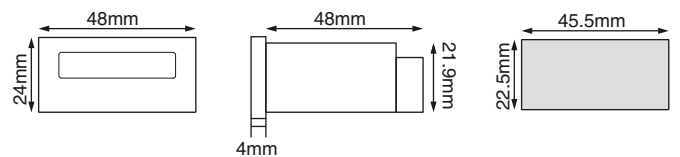
Part No.	Description
AP4848	Plastic adaptor for fitting the product into 46mm x 46mm cutout



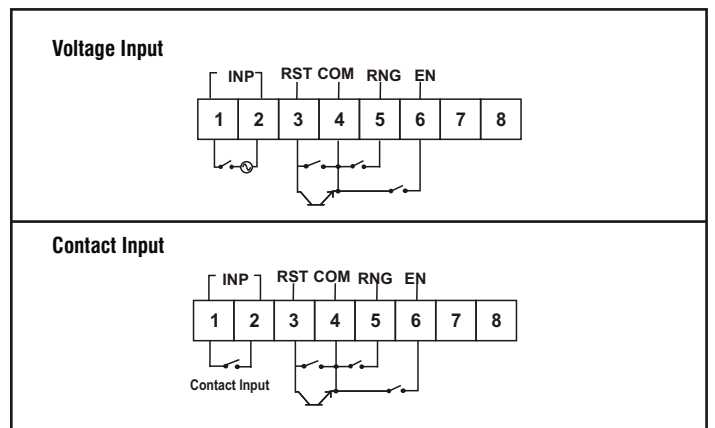
Part No.  
**AP6050**

CSK, M4, 2NOS

**Dimensions**



**Terminal Connections**



**Ordering Information**

Part No.	Input Type	
	Contact	Voltage
LT920-C	■	
LT920-V		■