



Features:

- 4 Transistor Output.
- Expansion up to 31 modules per controller possible.
- MODBUS RTU for I0610 and proprietary protocol for I0630 used for communication.

Size: 52.5mm x 90mm x 73mm

Technical Specifications

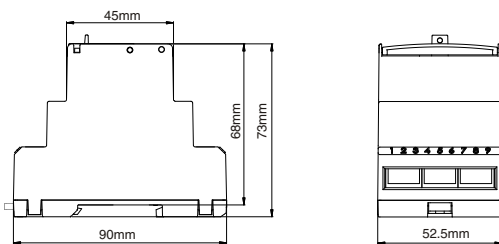
Input Specifications

Digital Output		
No. of Digital outputs	4	
Output type	Transistor (PNP)	
Output Rating	100mA	
Isolation	2kV	
Required power	500mA @ 24V DC	
Specifications	I0 610	I0 630
Response time	35ms	200µsec
Expansion port conn.	RS485 + -	I/O EXP + -
Protocol	MODBUS RTU	Proprietary
Baudrate	19200 bps	500 kbps
Mounting	DIN rail mounting	

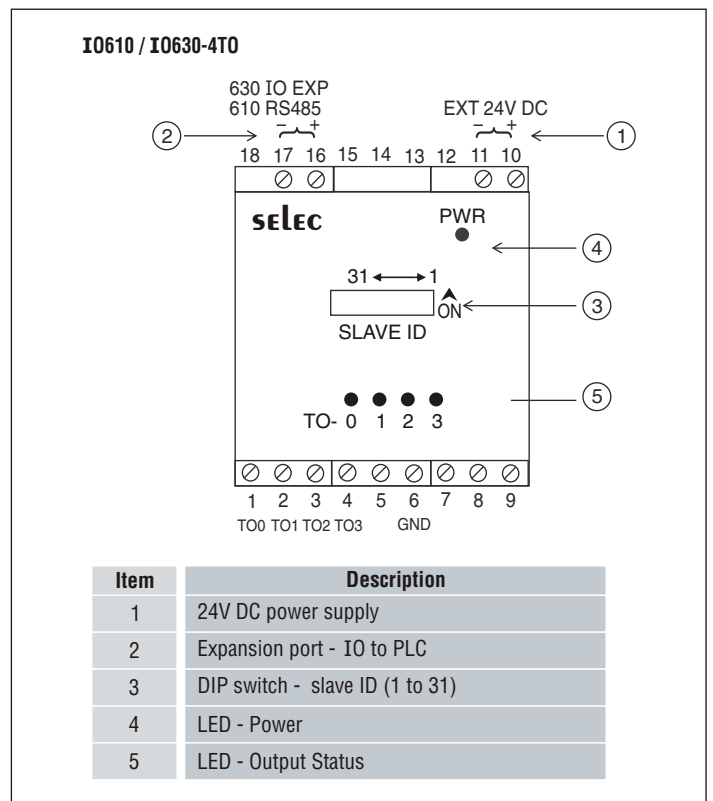
Environmental Specifications

Temperature	Operating : 0 to 50 °C Storage : -20 to 75 °C
Humidity (non-condensing)	95% RH
Weight	120gms

Dimensions (in mm)



Terminal Connections



Ordering Information

Product	Order Code
I0610/630-4TO	I0610-4TO
	I0630-4TO