



## Features:

- 4 Relay Output.
- Expansion up to 31 modules per controller possible.
- MODBUS RTU for I0610 and proprietary protocol for I0630 used for communication.

**Size:** 52.5mm x 90mm x 73mm

## Technical Specifications

### Input Specifications

Digital Output	
No. of Digital outputs	4
Output type	Relay (NO Type)
Isolation	2kV optical
Required power	100mA @ 24V DC
No. of common	4
Max switching power	5A@250V AC 5A@30V DC

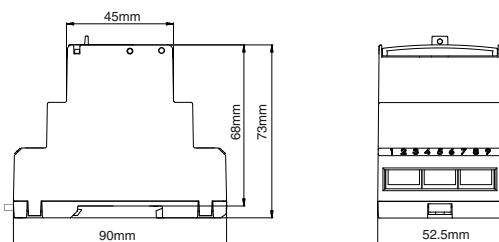
  

Specifications	I0 610	I0 630
Response time	35ms	200µsec
Expansion port conn.	RS485 + -	I/O EXP + -
Protocol	MODBUS RTU	Proprietary
Baudrate	19200 bps	500 kbps
Mounting	DIN rail mounting	

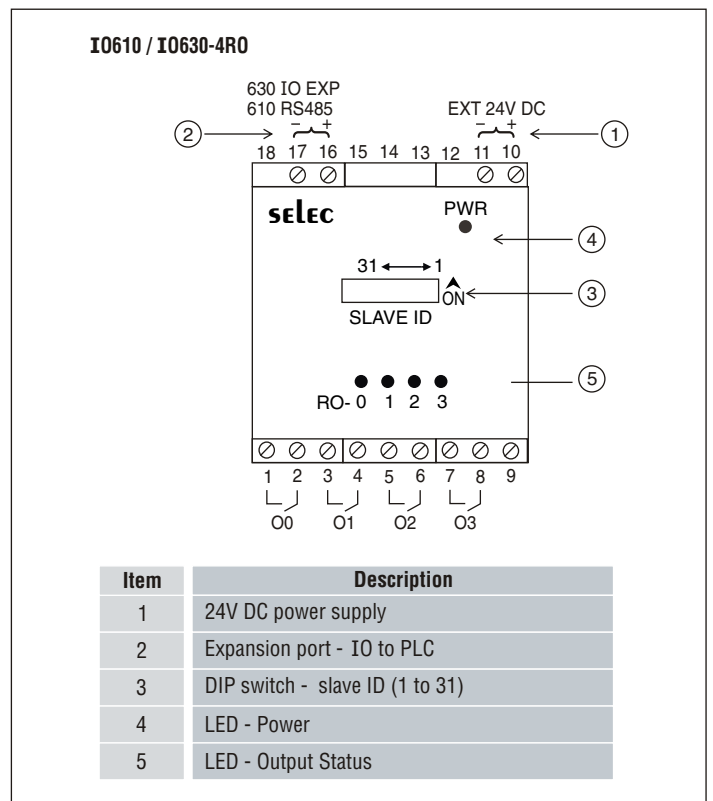
### Environmental Specifications

Temperature	Operating : 0 to 50 °C Storage : -20 to 75 °C
Humidity (non-condensing)	95% RH
Weight	120gms

### Dimensions (in mm)



### Terminal Connections



## Ordering Information

Product	Order Code
I0610/630-4RO	I0610-4RO
	I0630-4RO