



## Features:

- ON Delay / Interval
- 12 Time Ranges
- Universal Supply Voltage
- LED Status Indicator: Power ON, Relay ON
- DIN Rail / Back Panel Mount
- Finger Safe Terminals

Size: DIN 22.5mm

Certifications:  

## Technical Specifications

### Input Specifications

Accuracy	Setting: $\pm 5\%$ of F.S. Repeat: $\pm 0.5\%$ or 50 msec (F.S. = Full Scale)
Reset	On interruption of power; Reset time < 100 msec

### Output Specifications

Output Contact	DPDT (2 C/O)
Contact Rating	5A @ 230V AC / 24V DC resistive

### Functional Specifications

Modes	ON delay / Interval
Time Ranges	0 - 1 sec / min / hr 0 - 3 sec / min / hr 0 - 10 sec / min / hr 0 - 30 sec / min / hr

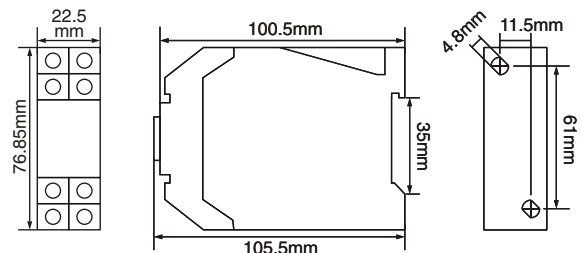
### Supply Voltage

Supply Voltage	20 to 240V AC (50 / 60Hz) 12 to 240V DC
Power Consumption	2VA max

### Environmental Specifications

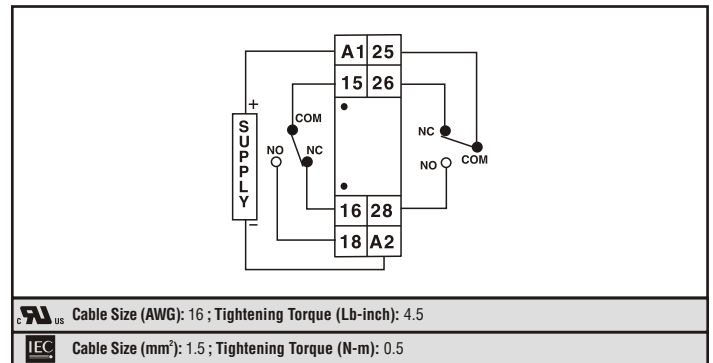
Temperature	Operating: 0 to 50°C (32 to 122°F) Storage: -20 to 75°C (-4 to 167°F)
Humidity (non-condensing)	95% RH
Weight	100 gms (0.220 lbs)
Protection Level	IP50 for faceplate IP40 for housing IP20 for terminals

### Dimensions




Symmetrical 35mm Din Rail (EN50022) Mounting

### Terminal Connections





 Cable Size (AWG): 16 ; Tightening Torque (Lb-inch): 4.5

 Cable Size (mm<sup>2</sup>): 1.5 ; Tightening Torque (N-m): 0.5

## Ordering Information

This product is available in certified (UL and CE) as well as in non-certified (without UL/CE marking) types. Please order as per the requirement.

Part No.	Supply Voltage	Certification
800XU	20 to 240V AC 12 to 240V DC	
800XU-CU	20 to 240V AC 12 to 240V DC	 

## Timing Diagram

