



### Features:

- Forward - Pause - Reverse Timer
- LED Status Indicator : Relay1 ON, Relay 2 ON
- Din Rail / Back Panel Mount
- Finger Safe Terminals

Size: DIN 22.5mm

## Technical Specifications

### Input Specifications

Accuracy	Setting : $\pm 5\%$ of full scale. Repeat : $\pm 0.5\%$ or 50 ms whichever is greater
Reset	On interruption of power

### Output Specifications

Output Contact	1 C/O each for forward & reverse
Contact Rating	5A @ 230V AC / 24V DC, resistive

### Functional Specifications

Modes	Forward-pause-reverse
Time Ranges	1 / 2 / 4 / 8 min ( ON time) 10 / 20 / 40 / 80 sec (pause time)
LED Indication	Relay1 ON, Relay2 ON
Reset time	Less than 100 ms

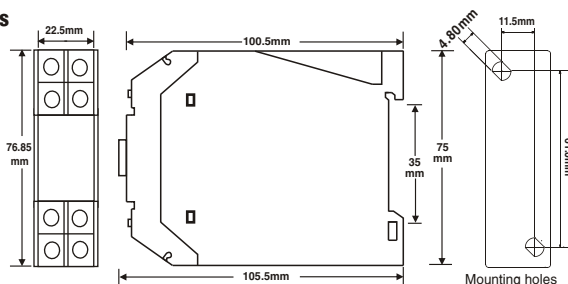
### Supply Voltage

Supply Voltage	20 to 240 VAC (AC: 50/60 Hz) 12 to 240 VDC
----------------	---

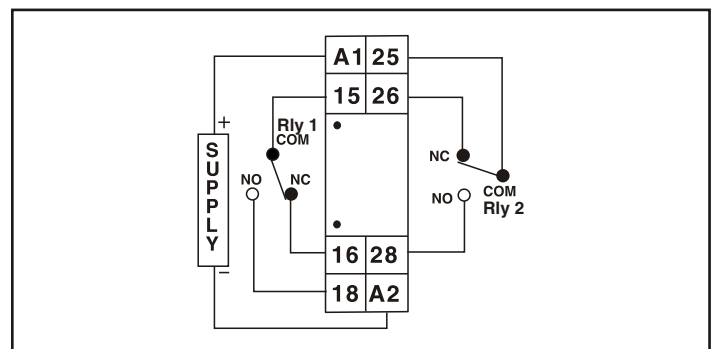
### Environmental Specifications

Temperature	Operating: 0 to 50°C Storage: -20 to 75°C.
Humidity (non-condensing)	95% RH
Weight	100 gms
Protection Level	IP50 for faceplate IP40 for housing IP20 for terminals

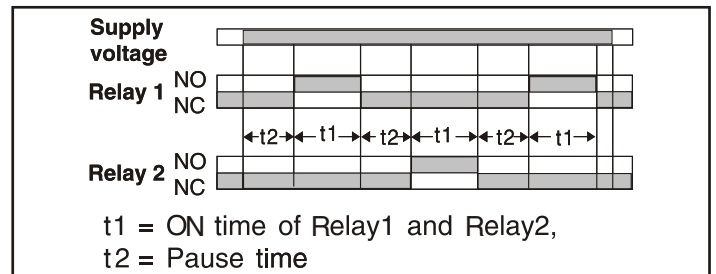
### Dimensions



### Terminal Connections



### Timing Diagram



Forward - Pause - Reverse timer Special timer for repetitive forward and reverse motion of motor with intermediate pause timing.

## Ordering Information

Part No.	Supply Voltage
800XMR	20 to 240 VAC 12 to 240 VDC