



**Features:**

- Lowest cost, Single Range Single Function
- LED Status Indicator : Power ON, Relay ON
- Din Rail / Pack Mount
- Finger safe Terminals

Size: DIN 22.5mm

**Technical Specifications**

**Input Specifications**

|          |  |
|----------|--|
| Accuracy | Setting : $\pm 5\%$ of full scale.<br>Repeat : $\pm 0.5\%$ or 50msec |
| Reset    | On interruption of power;<br>Reset time < 100 msec                   |

**Output Specifications**

|                |                                  |
|----------------|----------------------------------|
| Output Contact | 1 C/O (SPDT)                     |
| Contact Rating | 5A @ 230V AC / 24V DC, resistive |

**Functional Specifications**

|                |  |
|----------------|--|
| Modes          | ON : ON delay                          |
| Time Ranges    | 30S: 30 sec, 60S: 60 sec (factory set) |
| LED Indication | Power ON, Relay ON                     |

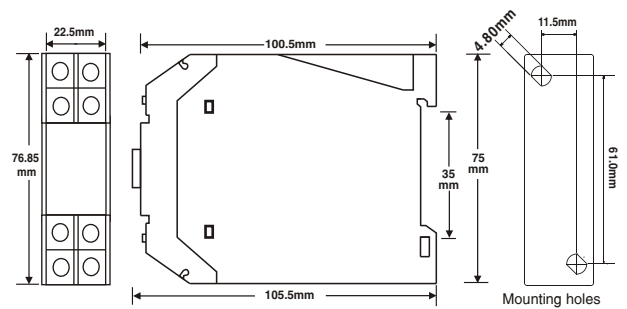
**Supply Voltage**

|                |              |
|----------------|--------------|
| Supply Voltage | 230: 230V AC |
|----------------|--------------|

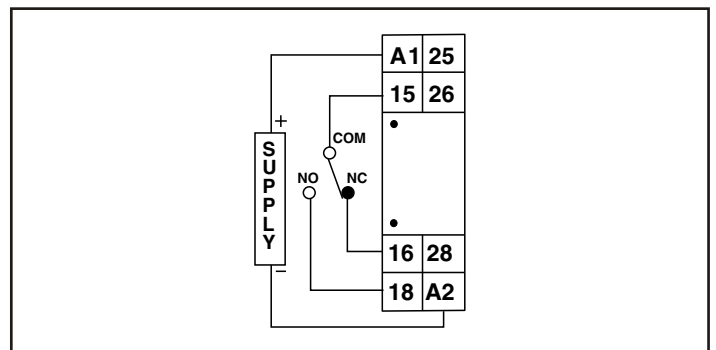
**Environmental Specifications**

|                           |  |
|---------------------------|--|
| Temperature               | Operating: 0 to 50°C<br>Storage: -5 to 50°C                  |
| Humidity (non-condensing) | 95% RH   |
| Weight                    | 100 gms  |
| Protection Level          | IP50 for faceplate<br>IP40 for housing<br>IP20 for terminals |

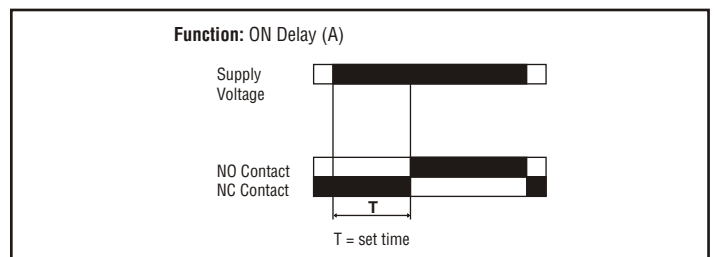
**Dimensions**



**Terminal Connections**



**Timing Diagram**



**Ordering Information**

| Part No.          | Supply Voltage |
|-------------------|----------------|
| 800S-1-ON-30S-230 | 230V AC        |
| 800S-1-ON-60S-230 | 230V AC        |