



Features:

- ON Delay / Interval
- 8 Time Ranges
- LED Status Indicator: Power ON, Relay ON
- Compact Size

Size: 1/16 DIN 48mm x 48mm

Technical Specifications

Input Specifications

Accuracy	Setting: $\pm 5\%$ of F.S. Repeat: $\pm 0.5\%$ or 50 msec (F.S. = Full Scale)
Reset	On interruption of power; Reset time < 100 msec

Output Specifications

Output Contact	2 C/O (DPDT)
Contact Rating	5A @ 230V AC / 24V DC, resistive

Functional Specifications

Modes	ON delay / Interval (selectable via DIP switches)
Time Ranges	0 - 3 sec / min 0 - 10 sec / min 0 - 30 sec / min 0 - 60 sec / min

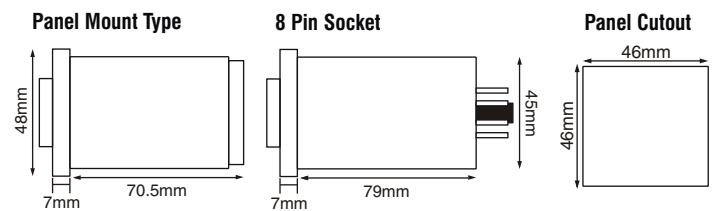
Supply Voltage

Supply Voltage	230V AC VoltageAC: 50 or 60 Hz (tolerance: -15 to + 10%)
Power Consumption	4 VA

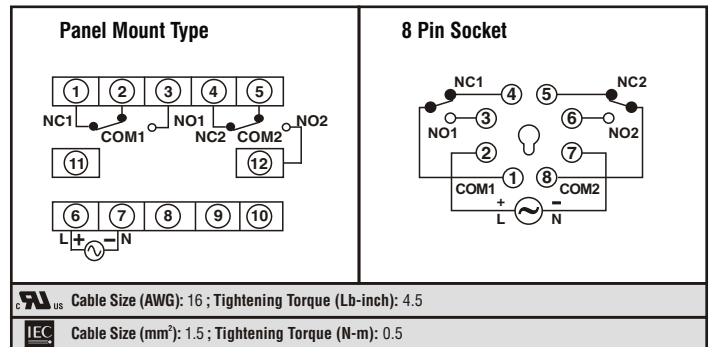
Environmental Specifications

Temperature	Operating: 0 to 50°C (32 to 122°F) Storage: -20 to 75°C (-4 to 167°F)
Humidity (non-condensing)	95% RH
Weight	123 gms
Protection Level	IP40 for faceplate

Dimensions



Terminal Connections



UL Cable Size (AWG): 16 ; Tightening Torque (Lb-inch): 4.5

IEC Cable Size (mm²): 1.5 ; Tightening Torque (N-m): 0.5

Ordering Information

Part No.	Supply Voltage	Terminal Connection	
		8 Pin Plug	Panel Mount Type
55Q (V1.1) -P8-230	230V AC	■	
55Q (V1.1) -T-230	230V AC		■

Timing Diagram

